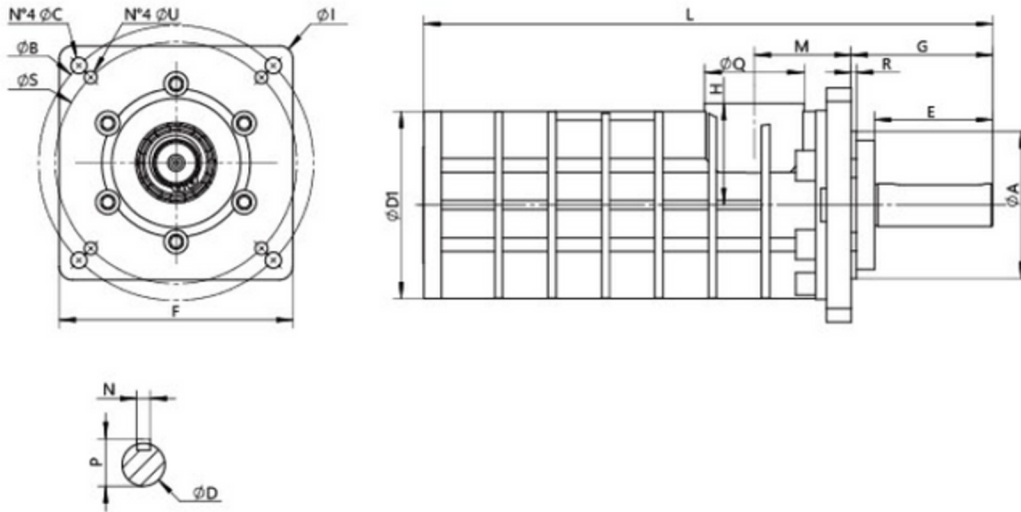


SUBMERSIBLE HEU MALE SHAFT - 32MM/1.259"



Model	Flange							Shaft				Discharge		Pump				
	ØA	ØB	ØS	ØU	ØC	ØI	F	ØD	P	N	E	H	ØQ	ØD1	L	G	M	lbs
PMPS45	4.3744 4.3728	8.110	7.125	0.374	0.472	-	6.890	1.2594 1.2591	1.378	0.394	3.846	2.382	2" NPT	4.764	15.134	4.209	3.071	17.2
PMPS55	4.3744 4.3728	8.110	7.125	0.374	0.472	-	6.890	1.2594 1.2591	1.378	0.394	3.846	2.776	2" NPT	5.551	16.831	4.193	2.697	25.6
PMPS60	4.3744 4.3728	8.110	7.125	0.374	0.472	-	6.890	1.2594 1.2591	1.378	0.394	3.846	3.248	2" NPT	6.516	17.972	4.193	3.150	33.5
PMPS70	4.3744 4.3728	8.110	7.125	0.374	0.472	-	6.890	1.2594 1.2591	1.378	0.394	3.846	3.543	2" 1/2 NPT	7.087	21.772	4.193	3.248	51.4

3550 RPM, 60 Hz, 315.8 SSU

Model	145 PSI		290 PSI		435 PSI		580 PSI		725 PSI		870 PSI		1015 PSI		1160 PSI	
	GPM	HP	GPM	HP	GPM	HP	GPM	HP	GPM	HP	GPM	HP	GPM	HP	GPM	HP
PMPS45180LE	58.01	6.44	57.06	12.61	56.11	17.97	55.16	24.00	54.05	28.97	52.94	33.79	51.88	38.62	49.61	43.45
PMPS45210LE	70.22	8.05	67.05	14.48	65.94	21.59	64.83	27.89	63.72	33.79	62.61	40.23	61.50	45.86	59.28	53.10
PMPS45250LE	81.42	9.66	80.47	17.43	79.12	25.88	77.80	33.53	76.45	40.50	74.71	48.28	73.81	54.98	71.14	63.70
PMPS55270LE	87.49	9.66	85.91	18.64	84.32	27.36	83.37	37.01	82.42	45.06	81.47	53.10	80.20	61.15	78.93	69.20
PMPS55300LE	96.85	11.13	95.42	20.65	94.15	30.31	92.88	38.62	91.62	48.54	90.35	57.80	89.08	65.98	86.54	75.63
PMPS55330LE	109.68	12.20	107.78	23.33	105.88	34.60	104.61	45.86	103.34	56.32	102.08	66.78	100.49	77.24	98.27	85.29
PMPS55380LE	122.52	13.68	121.10	25.75	119.83	38.35	118.56	50.69	117.29	62.49	115.87	74.02	114.44	85.29	111.27	96.55
PMPS60440LE	144.24	16.09	142.65	30.57	141.07	45.06	139.48	54.71	137.74	74.02	136.00	86.90	134.25	99.77	130.61	112.64
PMPS60500LE	163.73	17.70	162.15	35.40	160.56	48.28	158.82	67.59	156.92	83.68	155.02	99.77	153.04	114.25	148.99	128.74
PMPS70560LE	185.90	20.27	181.50	37.67	178.20	54.93	175.50	73.83	173.10	91.10	171.00	108.49	169.20	124.24	167.50	140.27
PMPS70600LE	198.13	22.53	196.39	41.84	194.64	61.15	192.74	82.07	190.84	100.04	188.78	120.69	186.72	138.39	181.33	156.09
PMPS70660LE	215.88	24.14	214.14	46.00	212.71	67.59	210.81	88.51	208.91	111.03	206.85	128.74	204.79	152.87	200.35	170.58
PMPS70800LE	261.85	28.97	259.95	54.71	258.36	82.07	256.78	109.43	255.03	135.17	253.45	160.92	251.86	186.67	245.68	209.20

SUBMERSIBLE HEU MALE SHAFT - 32MM/1.26"

REPLACEMENT INFORMATION

ZZIPCO		Allweiler		IMO		SEIM		Settima	
Model	GPM	Model	GPM	Model	GPM	Model	GPM	Model	GPM
PMPS45180LE	55.3	140-37	54.5	187Y	53.6	-	-	GR45SMU180L	55.3
		140-39	59.0	187P	58.5	PA045#4A	58.2		
PMPS45210LE	65.7	140-43	65.1	187M	63.7	PA045#4B	68.5	GR45SMU210L	65.4
PMPS45250LE	78.5	140-46	76.0	187	74.4	PA045#4C	78.0	GR45SMU250L	78.5
PMPS55270LE	82.5	-	-	217Y	83.8	PA055#4A	82.6	GR55SMU270L	82.5
PMPS55300LE	93.5	-	-	217P	93.8	PA055#4Y	88.0	GR55SMU300L	93.4
PMPS55330LE	103.2	210-40	97.2	217M	101.3	PA055#4B	98.4	GR55SMU330L	103.2
		210-43	107.0						
PMPS55380LE	117.3	210-46	122.3	217	118.4	PA055#4C	117.7	GR55SMU380L	117.3
PMPS60440LE	139.6	280-43	142.7	236G	138.0	PA060#4A	140.5	GR60SMU440L	139.6
PMPS60500LE	159.1	280-46	162.2	236	156.8	PA060#4B	167.0	GR60SMU500L	155.1
PMPS70560LE	167.0	280-51	185.2	236AS	181.6	PA060#4C	184.0	GR70SMU560L	167.1
PMPS70600LE	190.0	440-40	204.0	276P	196.2	PA072#4A	198.5	GR70SMU600L	190.0
PMPS70660LE	211.1	-	-	276G	220.1	PA072#4B	236.0	GR70SMU660L	211.1
PMPS70800LE	246.3	440-46	258.9	276	248.8	PA072#4C	283.4	GR70SMU800L	246.3