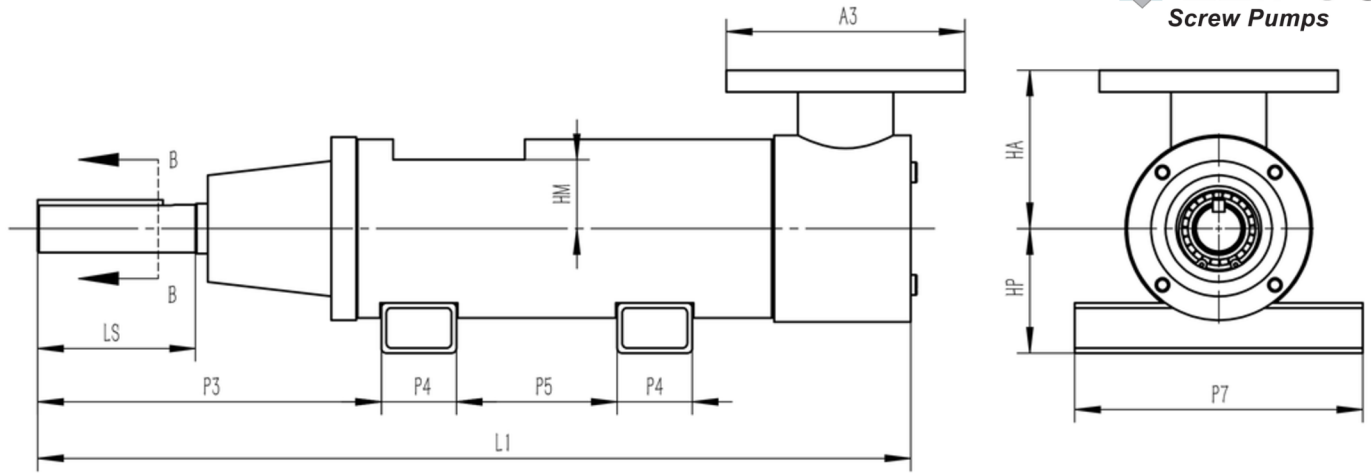
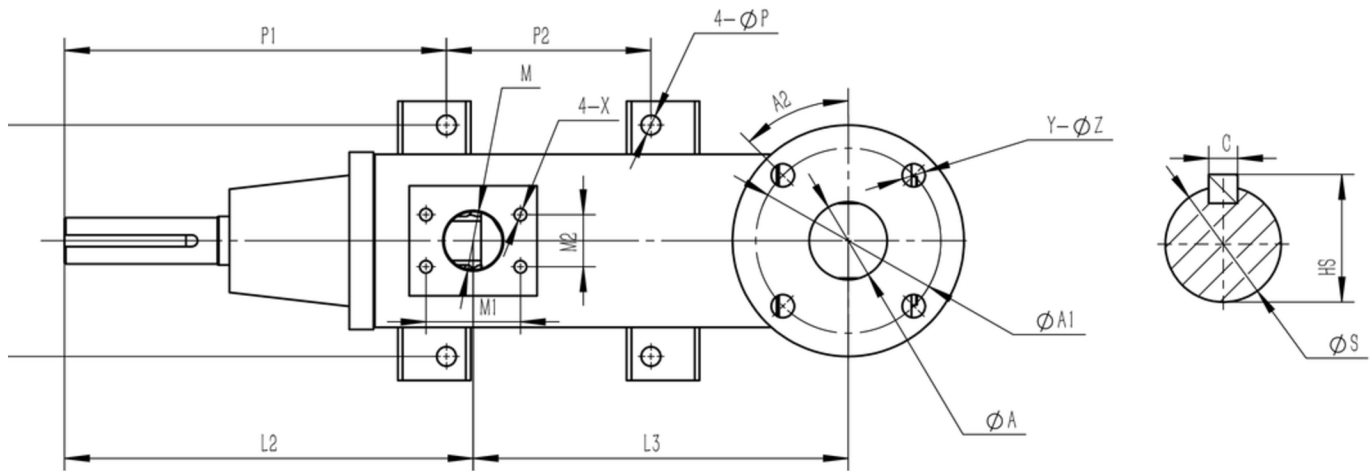


# DRY MOUNTED PUMPS



| Model  | A3    | L1     | P4    | P3     | P5    | HM    | LS    | P7     | HP    | HA    | WT.(lbs.) |
|--------|-------|--------|-------|--------|-------|-------|-------|--------|-------|-------|-----------|
| PMPD55 | 7.500 | 27.502 | 2.362 | 10.799 | 5.051 | 2.165 | 4.957 | 9.000  | 3.898 | 4.976 | 77        |
| PMPD60 | 9.008 | 30.130 | 2.362 | 11.327 | 5.638 | 2.480 | 4.957 | 10.000 | 4.744 | 5.937 | 93        |
| PMPD70 | 9.000 | 31.654 | 2.362 | 10.906 | 6.575 | 2.874 | 4.547 | 10.984 | 5.118 | 6.630 | 124       |
| PMPD80 | 8.987 | 33.661 | 3.150 | 9.626  | 8.613 | 3.268 | 4.646 | 11.969 | 5.104 | 6.248 | 174       |



| Model  | L2     | L3     | P    | P1     | P2     | P6    | M          | M1    | M2    | X      | A     | A1  | A2    | Y     | Z     | S     | C     | HS    |
|--------|--------|--------|------|--------|--------|-------|------------|-------|-------|--------|-------|-----|-------|-------|-------|-------|-------|-------|
| PMPD55 | 13.256 | 12.154 | 0.63 | 12.374 | 6.626  | 7.50  | 2" NPT     | 3.063 | 1.689 | M12X22 | 2.528 | 6.0 | 1.772 | 0.157 | 0.748 | 1.500 | 0.374 | 1.656 |
| PMPD60 | 13.634 | 14.035 | 0.63 | 12.508 | 8.000  | 8.50  | 2 1/2" NPT | 3.500 | 2.000 | M12X22 | 3.528 | 7.5 | 0.886 | 0.315 | 0.748 | 1.500 | 0.374 | 1.656 |
| PMPD70 | 13.583 | 15.394 | 0.63 | 12.087 | 8.937  | 9.00  | 3" NPT     | 4.189 | 2.437 | M16X30 | 3.543 | 7.5 | 0.886 | 0.315 | 0.748 | 1.874 | 0.500 | 2.083 |
| PMPD80 | 13.197 | 17.520 | 0.63 | 11.988 | 10.187 | 10.47 | 3" NPT     | 4.189 | 2.437 | M16X35 | 3.543 | 7.5 | 0.886 | 0.315 | 0.748 | 2.000 | 0.500 | 2.209 |



# DRY MOUNTED PUMPS



## DETERMINING FLOW RATE (GPM) FROM CAR SPEED (FT./MIN.)

| CAR SPEED | PLUNGER DIAMETER (INCHES) |     |       |       |     |       |       |     |       |     |       |     |       |     |     |
|-----------|---------------------------|-----|-------|-------|-----|-------|-------|-----|-------|-----|-------|-----|-------|-----|-----|
|           | 3 7/8                     | 4   | 4 3/8 | 4 1/2 | 5   | 5 3/8 | 5 1/2 | 6   | 6 1/2 | 7   | 7 1/2 | 8   | 8 1/2 | 9   | 10  |
| 10        | 6                         | 7   | 8     | 8     | 10  | 12    | 12    | 15  | 17    | 20  | 23    | 26  | 29    | 33  | 41  |
| 20        | 12                        | 13  | 16    | 17    | 20  | 24    | 25    | 29  | 34    | 40  | 46    | 52  | 59    | 66  | 82  |
| 30        | 18                        | 20  | 23    | 25    | 31  | 35    | 37    | 44  | 52    | 60  | 69    | 78  | 88    | 99  | 122 |
| 40        | 24                        | 26  | 31    | 33    | 41  | 47    | 49    | 59  | 69    | 80  | 92    | 104 | 118   | 132 | 163 |
| 50        | 31                        | 33  | 39    | 41    | 51  | 59    | 62    | 73  | 86    | 100 | 115   | 130 | 147   | 165 | 204 |
| 60        | 37                        | 39  | 47    | 50    | 61  | 71    | 74    | 88  | 103   | 120 | 138   | 156 | 177   | 198 | 245 |
| 70        | 43                        | 46  | 55    | 58    | 71  | 82    | 86    | 103 | 121   | 140 | 160   | 183 | 206   | 231 | 285 |
| 80        | 49                        | 52  | 62    | 66    | 82  | 94    | 99    | 117 | 138   | 160 | 183   | 209 | 236   | 264 | 326 |
| 90        | 55                        | 59  | 70    | 74    | 92  | 106   | 111   | 132 | 155   | 180 | 206   | 235 | 265   | 297 | 367 |
| 100       | 61                        | 65  | 78    | 83    | 102 | 118   | 123   | 147 | 172   | 200 | 229   | 261 | 294   | 330 | 408 |
| 110       | 67                        | 72  | 86    | 91    | 112 | 130   | 136   | 161 | 189   | 220 | 252   | 287 | 324   | 363 | 448 |
| 120       | 73                        | 78  | 94    | 99    | 122 | 141   | 148   | 176 | 207   | 240 | 275   | 313 | 353   | 396 | 489 |
| 130       | 80                        | 85  | 101   | 107   | 132 | 153   | 160   | 191 | 224   | 260 | 298   | 339 | 383   | 429 | 530 |
| 140       | 86                        | 91  | 109   | 116   | 143 | 165   | 173   | 205 | 241   | 280 | 321   | 365 | 412   | 462 | 571 |
| 150       | 92                        | 98  | 117   | 124   | 153 | 177   | 185   | 220 | 258   | 300 | 344   | 391 | 442   | 495 | 611 |
| 160       | 98                        | 104 | 125   | 132   | 163 | 188   | 197   | 235 | 275   | 319 | 367   | 417 | 471   | 528 | 652 |
| 170       | 104                       | 111 | 133   | 140   | 173 | 200   | 210   | 249 | 293   | 339 | 390   | 443 | 501   | 561 | 693 |
| 180       | 110                       | 117 | 140   | 149   | 183 | 212   | 222   | 264 | 310   | 359 | 413   | 469 | 530   | 594 | 734 |
| 190       | 116                       | 124 | 148   | 157   | 194 | 224   | 234   | 279 | 327   | 379 | 436   | 496 | 559   | 627 | 774 |
| 200       | 122                       | 130 | 156   | 165   | 204 | 235   | 247   | 293 | 344   | 399 | 458   | 522 | 589   | 660 | 815 |
| 210       | 128                       | 137 | 164   | 173   | 214 | 247   | 259   | 308 | 362   | 419 | 481   | 548 | 618   | 693 | 856 |
| 220       | 135                       | 143 | 172   | 182   | 224 | 259   | 271   | 323 | 379   | 439 | 504   | 574 | 648   | 726 | 897 |
| 230       | 141                       | 150 | 179   | 190   | 234 | 271   | 284   | 337 | 396   | 459 | 527   | 600 | 677   | 759 | 937 |



# DRY MOUNTED PUMPS



## HORSEPOWER REQUIREMENTS

| GPM | FULL LOAD PRESSURE (PSI) |     |     |     |     |     |     |     |     |     |     |     |
|-----|--------------------------|-----|-----|-----|-----|-----|-----|-----|-----|-----|-----|-----|
|     | 250                      | 300 | 350 | 400 | 450 | 500 | 550 | 600 | 650 | 700 | 750 | 800 |
| 40  | 8                        | 9   | 11  | 12  | 14  | 16  | 17  | 19  | 20  | 22  | 23  | 25  |
| 50  | 10                       | 12  | 14  | 16  | 18  | 19  | 21  | 23  | 25  | 27  | 29  | 31  |
| 60  | 12                       | 14  | 16  | 19  | 21  | 23  | 26  | 28  | 30  | 33  | 35  | 37  |
| 70  | 14                       | 16  | 19  | 22  | 25  | 27  | 30  | 33  | 35  | 38  | 41  | 44  |
| 75  | 15                       | 18  | 20  | 23  | 26  | 29  | 32  | 35  | 38  | 41  | 44  | 47  |
| 80  | 16                       | 19  | 22  | 25  | 28  | 31  | 34  | 37  | 40  | 44  | 47  | 50  |
| 90  | 18                       | 21  | 25  | 28  | 32  | 35  | 39  | 42  | 46  | 49  | 53  | 56  |
| 100 | 19                       | 23  | 27  | 31  | 35  | 39  | 43  | 47  | 51  | 54  | 58  | 62  |
| 110 | 21                       | 26  | 30  | 34  | 39  | 43  | 47  | 51  | 56  | 60  | 64  | 68  |
| 120 | 23                       | 28  | 33  | 37  | 42  | 47  | 51  | 56  | 61  | 65  | 70  | 75  |
| 125 | 24                       | 29  | 34  | 39  | 44  | 49  | 53  | 58  | 63  | 68  | 73  | 78  |
| 130 | 25                       | 30  | 35  | 40  | 46  | 51  | 56  | 61  | 66  | 71  | 76  | 81  |
| 140 | 27                       | 33  | 38  | 44  | 49  | 54  | 60  | 65  | 71  | 76  | 82  | 87  |
| 150 | 29                       | 35  | 41  | 47  | 53  | 58  | 64  | 70  | 76  | 82  | 88  | 93  |
| 160 | 31                       | 37  | 44  | 50  | 56  | 62  | 68  | 75  | 81  | 87  | 93  | 100 |
| 170 | 33                       | 40  | 46  | 53  | 60  | 66  | 73  | 79  | 86  | 93  | 99  | 106 |
| 175 | 34                       | 41  | 48  | 54  | 61  | 68  | 75  | 82  | 88  | 95  | 102 | 109 |
| 180 | 35                       | 42  | 49  | 56  | 63  | 70  | 77  | 84  | 91  | 98  | 105 | 112 |
| 190 | 37                       | 44  | 52  | 59  | 67  | 74  | 81  | 89  | 96  | 103 | 111 | 118 |
| 200 | 39                       | 47  | 54  | 62  | 70  | 78  | 86  | 93  | 101 | 109 | 117 | 124 |
| 210 | 41                       | 49  | 57  | 65  | 74  | 82  | 90  | 98  | 106 | 114 | 123 | 131 |
| 220 | 43                       | 51  | 60  | 68  | 77  | 86  | 94  | 103 | 111 | 120 | 128 | 137 |
| 225 | 44                       | 53  | 61  | 70  | 79  | 88  | 96  | 105 | 114 | 123 | 131 | 140 |
| 230 | 45                       | 54  | 63  | 72  | 81  | 89  | 98  | 107 | 116 | 125 | 134 | 143 |
| 240 | 47                       | 56  | 65  | 75  | 84  | 93  | 103 | 112 | 121 | 131 | 140 | 149 |
| 250 | 49                       | 58  | 68  | 78  | 88  | 97  | 107 | 117 | 126 | 136 | 146 | 156 |
| 260 | 51                       | 61  | 71  | 81  | 91  | 101 | 111 | 121 | 131 | 142 | 152 | 162 |
| 270 | 53                       | 63  | 74  | 84  | 95  | 105 | 116 | 126 | 137 | 147 | 158 | 168 |
| 275 | 53                       | 64  | 75  | 86  | 96  | 107 | 118 | 128 | 139 | 150 | 160 | 171 |
| 280 | 54                       | 65  | 76  | 87  | 98  | 109 | 120 | 131 | 142 | 152 | 163 | 174 |
| 290 | 56                       | 68  | 79  | 90  | 102 | 113 | 124 | 135 | 147 | 158 | 169 | 180 |
| 300 | 58                       | 70  | 82  | 93  | 105 | 117 | 128 | 140 | 152 | 163 | 175 | 187 |
| 310 | 60                       | 72  | 84  | 96  | 109 | 121 | 133 | 145 | 157 | 169 | 181 | 193 |
| 320 | 62                       | 75  | 87  | 100 | 112 | 124 | 137 | 149 | 162 | 174 | 187 | 199 |
| 325 | 63                       | 76  | 88  | 101 | 114 | 126 | 139 | 152 | 164 | 177 | 190 | 202 |



# DRY MOUNTED PUMPS



## PUMP SHAFT SPEED

Pressure: 400 PSI

Viscosity: 100 SSU

| Model       | Flow Rate (GPM) |      |      |      |      |
|-------------|-----------------|------|------|------|------|
|             | 90              | 100  | 110  | 120  | 130  |
| PMPD55380LE | 2628            | 2902 | 3177 |      |      |
| PMPD60500LE |                 |      |      | 2649 | 2856 |

| Model       | Flow Rate (GPM) |      |      |      |      |      |      |
|-------------|-----------------|------|------|------|------|------|------|
|             | 140             | 150  | 160  | 170  | 175  | 180  | 190  |
| PMPD70600LE | 2530            | 2699 | 2869 | 3038 | 3123 | 3208 |      |
| PMPD70660LE |                 | 2446 | 2598 | 2750 | 2826 | 2902 | 3055 |
| PMPD70800LE |                 |      |      |      | 2446 | 2511 | 2641 |

| Model        | Flow Rate (GPM) |      |      |      |      |      |      |      |      |      |      |
|--------------|-----------------|------|------|------|------|------|------|------|------|------|------|
|              | 200             | 210  | 220  | 225  | 230  | 240  | 250  | 260  | 270  | 275  | 280  |
| PMPD801000LE | 2161            | 2261 | 2360 | 2410 | 2460 | 2560 |      |      |      |      |      |
| PMPD801200LE |                 |      |      |      |      |      | 2220 | 2302 | 2384 | 2425 | 2466 |

## REPLACEMENT INFORMATION

| ZZIPCO       |       | IMO    |       | Settima       |       |
|--------------|-------|--------|-------|---------------|-------|
| Model        | GPM   | Model  | GPM   | Model         | GPM   |
| PMPD55380LE  | 85.3  | 3D-218 | 81.0  | GR55SMTU380L  | 85.3  |
| PMPD60500LE  | 113.0 | 3D-250 | 124.9 | GR60SMTU500L  | 113.0 |
| PMPD70600LE  | 138.0 |        |       | GR70SMTU600L  | 138.4 |
| PMPD70660LE  | 154.0 | 3D-275 | 173.0 | GR70SMTU660L  | 153.6 |
| PMPD70800LE  | 179.0 |        |       | GR70SMTU800L  | 179.1 |
| PMPD801000LE | 234.0 | 3D-312 | 261.0 | GR80SMTU1000L | 234.1 |
| PMPD801200LE | 274.0 |        |       | GR80SMTU1200L | 274.7 |

