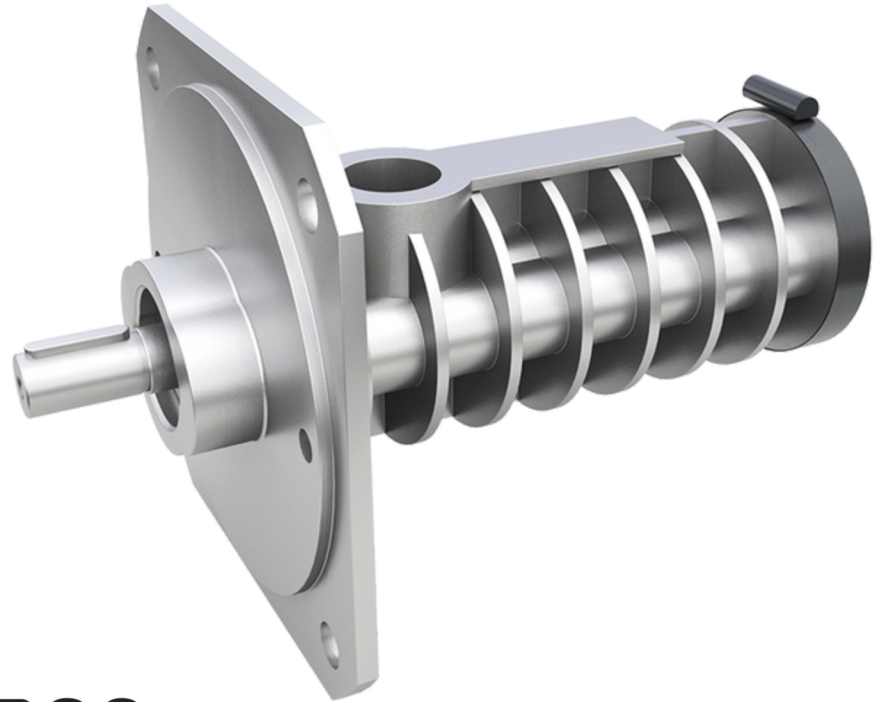




ZZIPCO

Screw Pumps

THREE SCREW PUMPS



Distributed by

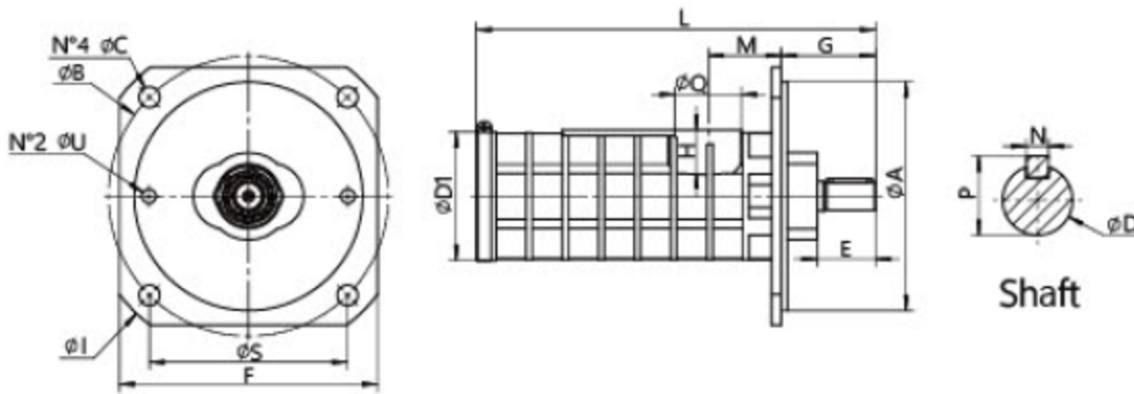


Our commitment to quality begins at the factory, where every part is meticulously manufactured, from raw materials to the final product. Each pump undergoes thorough inspection and function testing before leaving the facility.

Key Features

- **Versatile Flow Rates:** Choose from over 20 sizes to match your needs.
- **Durable Construction:**
 - Cast Aluminum Body: Engineered for strength and longevity, ensuring reliable performance.
 - Precision Ground Carbon Steel Screws: Experience smooth, optimal operation with minimal noise.
- **Easy Integration:**
 - Standard Bolt Hole Configurations: Designed to seamlessly mate with industry-standard motors, facilitating effortless integration.
 - Interchangeability with Drivers: Enjoy hassle-free compatibility with various drivers for added flexibility.
- **Maintenance-Free:** Designed for your convenience, our pumps require minimal maintenance.

SUBMERSIBLE HE MALE SHAFT - 19MM/0.748"



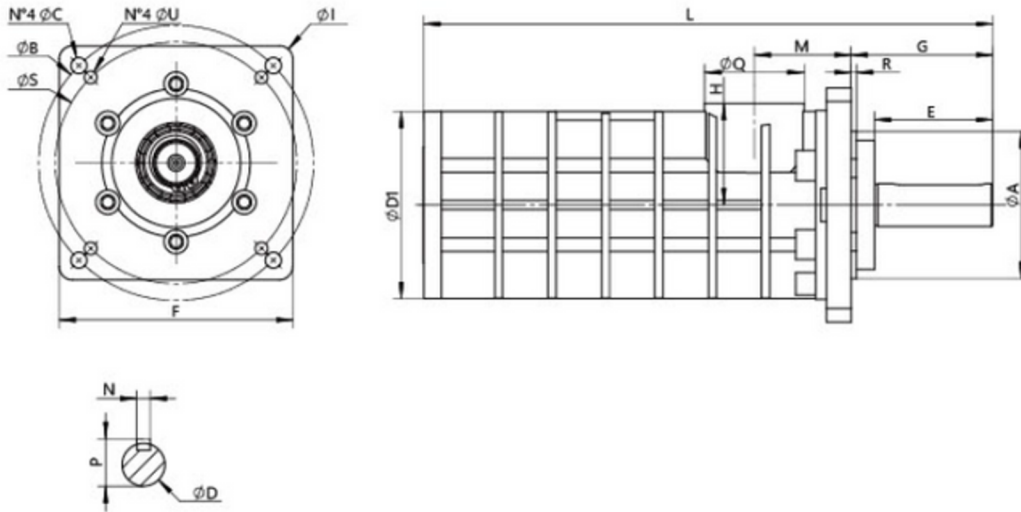
Model	Flange							Shaft				Discharge		Pump				
	ØA	ØB	ØU	ØS	ØC	ØI	F	ØD	P	N	E	H	ØQ	ØD1	L	G	M	lbs
PMPS25 PMPS32	6.102	7.48	0.374	5.315	0.551	8.661	6.850	0.748	0.846	0.236	1.445	1.654	1" NPT	3.48	10.61	2.48	1.752	6.6
PMPS40	6.102	7.48	0.374	5.315	0.551	8.661	6.496	0.748	0.846	0.236	1.339	2.165	1 1/4" NPT	4.33	12.05	2.48	2.244	10.8

3550 RPM, 60 Hz, 315.8 SSU																	
Model	145 PSI		290 PSI		435 PSI		580 PSI		725 PSI		870 PSI		1015 PSI		1160 PSI		
	GPM	HP	GPM	HP	GPM	HP	GPM	HP	GPM	HP	GPM	HP	GPM	HP	GPM	HP	
PMPS2525LE	8.93	14.89	8.77	2.28	8.56	2.95	8.30	3.49	8.08	4.56	7.82	5.36	7.61	6.17	7.19	7.11	
PMPS2530LE	11.62	1.74	11.20	2.68	10.80	3.75	10.46	4.83	10.14	6.17	9.77	7.11	9.38	8.05	8.88	9.66	
PMPS3235LE	12.36	1.61	12.18	2.55	11.99	4.02	11.78	5.36	11.57	6.44	11.36	7.38	11.10	8.31	10.62	10.46	
PMPS3245LE	15.48	1.88	15.35	3.49	15.22	5.10	15.06	6.44	14.90	8.05	14.69	9.66	14.42	11.00	13.95	12.20	
PMPS3255LE	18.39	2.28	18.07	4.02	17.75	5.90	17.44	7.51	17.12	9.39	16.70	11.00	16.30	12.61	15.85	13.81	
PMPS3275LE	25.47	2.95	25.23	5.36	24.73	7.51	24.04	9.66	23.41	11.53	22.69	13.54	22.19	16.09	21.45	16.90	
PMPS40100LE	32.97	4.02	31.70	7.24	30.43	10.46	29.43	13.54	28.43	16.09	26.95	19.18	25.47	22.26	24.09	24.41	
PMPS40125LE	40.58	4.83	39.94	8.72	39.31	12.74	38.67	16.76	37.88	20.65	37.09	24.00	36.30	27.22	34.40	29.77	
PMPS40150LE	47.87	5.63	47.23	10.46	46.60	15.29	45.81	20.79	45.02	24.00	44.22	28.97	43.43	32.18	41.84	37.01	

REPLACEMENT INFORMATION

ZZIPCO		Allweiler		IMO		SEIM		Settima	
Model	GPM	Model	GPM	Model	GPM	Model	GPM	Model	GPM
PMPS2525LE	8.4	20-38	8.1	-	-	PA025#6B	9.3	GR25SMU25L	9.0
PMPS2530LE	10.7	20-46	10.8	20USNP46	10.7	PA025#6C	11.0	GR25SMU30L	11.2
PMPS3235LE	13.2	20-50		20USNP50	12.7	PA029#6A	12.5	GR32SMU35L	13.2
PMPS3245LE	15.1	20-56	15.2	20USNP56	15.2	PA029#6B	15.1	GR32SMU45L	16.2
PMPS3255LE	17.8	40-41	17.0	40USNP41	17.0	PA032#6A	17.8	GR32SMU55L	17.6
PMPS3275LE	22.2	40-49	23.0	40USNP49	23.0	PA032#4B	23.0	GR32SMU75L	23.5
PMPS40100LE	31.4	80-36	31.0	80USNP36	31.0	PA040#4A	32.7	GR40SMU100L	32.2
PMPS40125LE	39.0	80-42	37.0	80USNP42	37.0	PA040#4B	39.8	GR40SMU125L	39.1
PMPS40150LE	46.2	80-46	45.0	80USNP46	45.0	PA040#4C	47.2	GR40SMU150L	46.0

SUBMERSIBLE HEU MALE SHAFT - 32MM/1.259"



Model	Flange							Shaft				Discharge		Pump				
	ØA	ØB	ØS	ØU	ØC	ØI	F	ØD	P	N	E	H	ØQ	ØD1	L	G	M	lbs
PMPS45	4.3744 4.3728	8.110	7.125	0.374	0.472	-	6.890	1.2594 1.2591	1.378	0.394	3.846	2.382	2" NPT	4.764	15.134	4.209	3.071	17.2
PMPS55	4.3744 4.3728	8.110	7.125	0.374	0.472	-	6.890	1.2594 1.2591	1.378	0.394	3.846	2.776	2" NPT	5.551	16.831	4.193	2.697	25.6
PMPS60	4.3744 4.3728	8.110	7.125	0.374	0.472	-	6.890	1.2594 1.2591	1.378	0.394	3.846	3.248	2" NPT	6.516	17.972	4.193	3.150	33.5
PMPS70	4.3744 4.3728	8.110	7.125	0.374	0.472	-	6.890	1.2594 1.2591	1.378	0.394	3.846	3.543	2" 1/2 NPT	7.087	21.772	4.193	3.248	51.4

3550 RPM, 60 Hz, 315.8 SSU

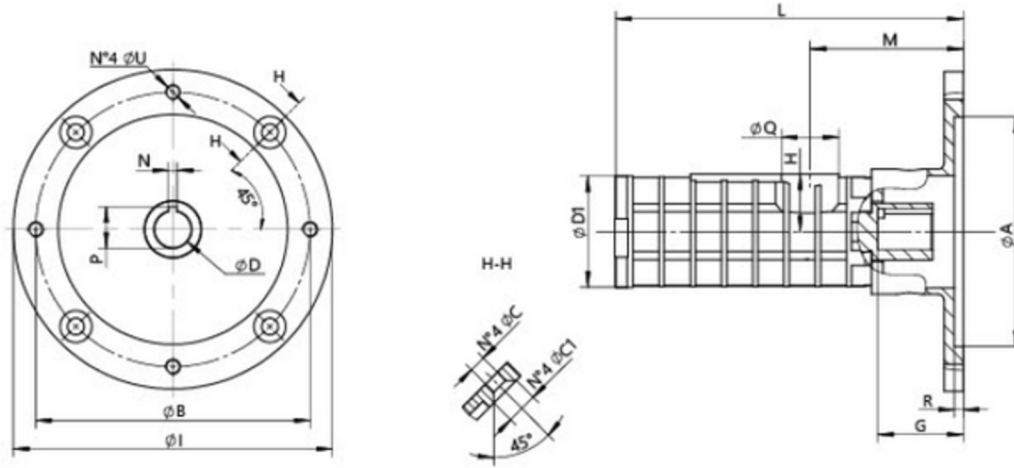
Model	145 PSI		290 PSI		435 PSI		580 PSI		725 PSI		870 PSI		1015 PSI		1160 PSI	
	GPM	HP	GPM	HP	GPM	HP	GPM	HP	GPM	HP	GPM	HP	GPM	HP	GPM	HP
PMPS45180LE	58.01	6.44	57.06	12.61	56.11	17.97	55.16	24.00	54.05	28.97	52.94	33.79	51.88	38.62	49.61	43.45
PMPS45210LE	70.22	8.05	67.05	14.48	65.94	21.59	64.83	27.89	63.72	33.79	62.61	40.23	61.50	45.86	59.28	53.10
PMPS45250LE	81.42	9.66	80.47	17.43	79.12	25.88	77.80	33.53	76.45	40.50	74.71	48.28	73.81	54.98	71.14	63.70
PMPS55270LE	87.49	9.66	85.91	18.64	84.32	27.36	83.37	37.01	82.42	45.06	81.47	53.10	80.20	61.15	78.93	69.20
PMPS55300LE	96.85	11.13	95.42	20.65	94.15	30.31	92.88	38.62	91.62	48.54	90.35	57.80	89.08	65.98	86.54	75.63
PMPS55330LE	109.68	12.20	107.78	23.33	105.88	34.60	104.61	45.86	103.34	56.32	102.08	66.78	100.49	77.24	98.27	85.29
PMPS55380LE	122.52	13.68	121.10	25.75	119.83	38.35	118.56	50.69	117.29	62.49	115.87	74.02	114.44	85.29	111.27	96.55
PMPS60440LE	144.24	16.09	142.65	30.57	141.07	45.06	139.48	54.71	137.74	74.02	136.00	86.90	134.25	99.77	130.61	112.64
PMPS60500LE	163.73	17.70	162.15	35.40	160.56	48.28	158.82	67.59	156.92	83.68	155.02	99.77	153.04	114.25	148.99	128.74
PMPS70560LE	185.90	20.27	181.50	37.67	178.20	54.93	175.50	73.83	173.10	91.10	171.00	108.49	169.20	124.24	167.50	140.27
PMPS70600LE	198.13	22.53	196.39	41.84	194.64	61.15	192.74	82.07	190.84	100.04	188.78	120.69	186.72	138.39	181.33	156.09
PMPS70660LE	215.88	24.14	214.14	46.00	212.71	67.59	210.81	88.51	208.91	111.03	206.85	128.74	204.79	152.87	200.35	170.58
PMPS70800LE	261.85	28.97	259.95	54.71	258.36	82.07	256.78	109.43	255.03	135.17	253.45	160.92	251.86	186.67	245.68	209.20

SUBMERSIBLE HEU MALE SHAFT - 32MM/1.26"

REPLACEMENT INFORMATION

ZZIPCO		Allweiler		IMO		SEIM		Settima	
Model	GPM	Model	GPM	Model	GPM	Model	GPM	Model	GPM
PMPS45180LE	55.3	140-37	54.5	187Y	53.6	-	-	GR45SMU180L	55.3
		140-39	59.0	187P	58.5	PA045#4A	58.2		
PMPS45210LE	65.7	140-43	65.1	187M	63.7	PA045#4B	68.5	GR45SMU210L	65.4
PMPS45250LE	78.5	140-46	76.0	187	74.4	PA045#4C	78.0	GR45SMU250L	78.5
PMPS55270LE	82.5	-	-	217Y	83.8	PA055#4A	82.6	GR55SMU270L	82.5
PMPS55300LE	93.5	-	-	217P	93.8	PA055#4Y	88.0	GR55SMU300L	93.4
PMPS55330LE	103.2	210-40	97.2	217M	101.3	PA055#4B	98.4	GR55SMU330L	103.2
		210-43	107.0						
PMPS55380LE	117.3	210-46	122.3	217	118.4	PA055#4C	117.7	GR55SMU380L	117.3
PMPS60440LE	139.6	280-43	142.7	236G	138.0	PA060#4A	140.5	GR60SMU440L	139.6
PMPS60500LE	159.1	280-46	162.2	236	156.8	PA060#4B	167.0	GR60SMU500L	155.1
PMPS70560LE	167.0	280-51	185.2	236AS	181.6	PA060#4C	184.0	GR70SMU560L	167.1
PMPS70600LE	190.0	440-40	204.0	276P	196.2	PA072#4A	198.5	GR70SMU600L	190.0
PMPS70660LE	211.1	-	-	276G	220.1	PA072#4B	236.0	GR70SMU660L	211.1
PMPS70800LE	246.3	440-46	258.9	276	248.8	PA072#4C	283.4	GR70SMU800L	246.3

SUBMERSIBLE HOLLOW SHAFT - 19MM/0.748"



Model	Flange				Shaft			Discharge		Pump				
	ØA	ØB	ØC	ØI	ØD	P	N	H	Q	ØD1	L	G	M	lbs
PMPGR25	4.5028 4.5012	5.875	0.406	6.527	0.6368 0.6348	0.728	0.209	1.654	1"NPT	3.484	10.413	2.323	4.035	6.6
PMPGR32	4.5028 4.5012	5.875	0.406	6.527	0.6368 0.6348	0.728	0.209	1.654	1"NPT	3.484	10.413	2.323	4.035	6.6

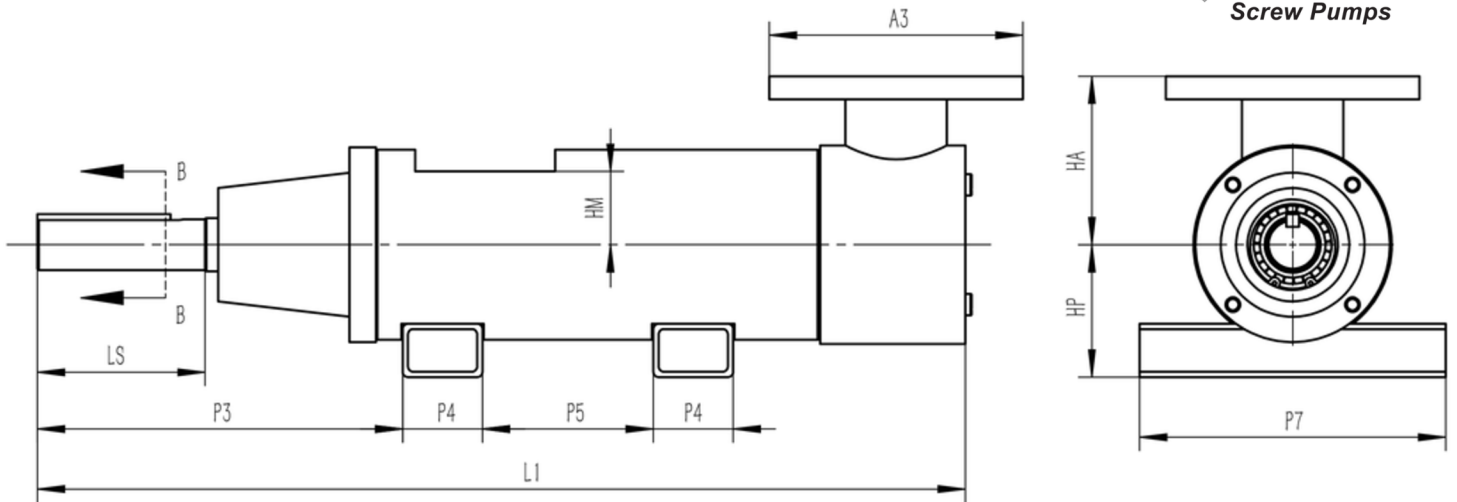
3550 RPM, 60 Hz, 315.8 SSU

Model	145 PSI		290 PSI		435 PSI		580 PSI		725 PSI		870 PSI		1015 PSI		1160 PSI	
	GPM	HP	GPM	HP	GPM	HP	GPM	HP	GPM	HP	GPM	HP	GPM	HP	GPM	HP
PMPGR2530L-HSE	11.62	1.74	11.20	2.68	10.80	3.75	10.46	4.83	10.14	6.17	9.77	7.11	9.38	8.05	8.88	9.66
PMPGR3235L-HSE	12.36	1.61	12.18	2.55	11.99	4.02	11.78	5.36	11.57	6.44	11.36	7.38	11.10	8.31	10.62	10.46
PMPGR3245L-HSE	15.48	1.88	15.35	3.49	15.22	5.10	15.06	6.44	14.90	8.05	14.69	9.66	14.42	11.00	13.95	12.20
PMPGR3255L-HSE	18.39	2.28	18.07	4.02	17.75	5.90	17.44	7.51	17.12	9.39	16.70	11.00	16.30	12.61	15.85	13.81

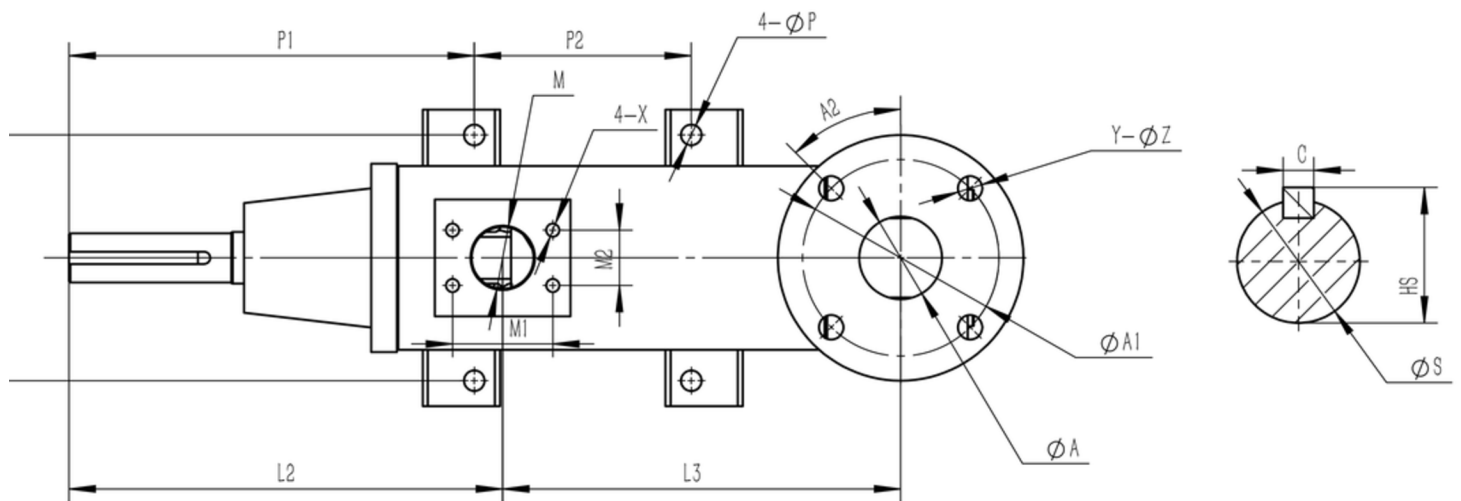
REPLACEMENT INFORMATION

ZZIPCO		Settima	
Model	GPM	Model	GPM
PMPGR2530L-HSE	4.7	GR25SMU30LAC56C	4.7
PMPGR3235L-HSE	5.9	GR32SMU35LAC56C	5.9
PMPGR3245L-HSE	7.1	GR32SMU45LAC56C	7.1
PMPGR3255L-HSE	8.5	GR32SMU55LAC56C	8.5

DRY MOUNTED PUMPS



Model	A3	L1	P4	P3	P5	HM	LS	P7	HP	HA	WT.(lbs.)
PMPD55	7.500	27.502	2.362	10.799	5.051	2.165	4.957	9.000	3.898	4.976	77
PMPD60	9.008	30.130	2.362	11.327	5.638	2.480	4.957	10.000	4.744	5.937	93
PMPD70	9.000	31.654	2.362	10.906	6.575	2.874	4.547	10.984	5.118	6.630	124
PMPD80	8.987	33.661	3.150	9.626	8.613	3.268	4.646	11.969	5.104	6.248	174



Model	L2	L3	P	P1	P2	P6	M	M1	M2	X	A	A1	A2	Y	Z	S	C	HS
PMPD55	13.256	12.154	0.63	12.374	6.626	7.50	2" NPT	3.063	1.689	M12X22	2.528	6.0	1.772	0.157	0.748	1.500	0.374	1.656
PMPD60	13.634	14.035	0.63	12.508	8.000	8.50	2 1/2" NPT	3.500	2.000	M12X22	3.528	7.5	0.886	0.315	0.748	1.500	0.374	1.656
PMPD70	13.583	15.394	0.63	12.087	8.937	9.00	3" NPT	4.189	2.437	M16X30	3.543	7.5	0.886	0.315	0.748	1.874	0.500	2.083
PMPD80	13.197	17.520	0.63	11.988	10.187	10.47	3" NPT	4.189	2.437	M16X35	3.543	7.5	0.886	0.315	0.748	2.000	0.500	2.209

DRY MOUNTED PUMPS

DETERMINING FLOW RATE (GPM) FROM CAR SPEED (FT./MIN.)

CAR SPEED	PLUNGER DIAMETER (INCHES)														
	3 7/8	4	4 3/8	4 1/2	5	5 3/8	5 1/2	6	6 1/2	7	7 1/2	8	8 1/2	9	10
10	6	7	8	8	10	12	12	15	17	20	23	26	29	33	41
20	12	13	16	17	20	24	25	29	34	40	46	52	59	66	82
30	18	20	23	25	31	35	37	44	52	60	69	78	88	99	122
40	24	26	31	33	41	47	49	59	69	80	92	104	118	132	163
50	31	33	39	41	51	59	62	73	86	100	115	130	147	165	204
60	37	39	47	50	61	71	74	88	103	120	138	156	177	198	245
70	43	46	55	58	71	82	86	103	121	140	160	183	206	231	285
80	49	52	62	66	82	94	99	117	138	160	183	209	236	264	326
90	55	59	70	74	92	106	111	132	155	180	206	235	265	297	367
100	61	65	78	83	102	118	123	147	172	200	229	261	294	330	408
110	67	72	86	91	112	130	136	161	189	220	252	287	324	363	448
120	73	78	94	99	122	141	148	176	207	240	275	313	353	396	489
130	80	85	101	107	132	153	160	191	224	260	298	339	383	429	530
140	86	91	109	116	143	165	173	205	241	280	321	365	412	462	571
150	92	98	117	124	153	177	185	220	258	300	344	391	442	495	611
160	98	104	125	132	163	188	197	235	275	319	367	417	471	528	652
170	104	111	133	140	173	200	210	249	293	339	390	443	501	561	693
180	110	117	140	149	183	212	222	264	310	359	413	469	530	594	734
190	116	124	148	157	194	224	234	279	327	379	436	496	559	627	774
200	122	130	156	165	204	235	247	293	344	399	458	522	589	660	815
210	128	137	164	173	214	247	259	308	362	419	481	548	618	693	856
220	135	143	172	182	224	259	271	323	379	439	504	574	648	726	897
230	141	150	179	190	234	271	284	337	396	459	527	600	677	759	937

HORSEPOWER REQUIREMENTS

GPM	FULL LOAD PRESSURE (PSI)											
	250	300	350	400	450	500	550	600	650	700	750	800
40	8	9	11	12	14	16	17	19	20	22	23	25
50	10	12	14	16	18	19	21	23	25	27	29	31
60	12	14	16	19	21	23	26	28	30	33	35	37
70	14	16	19	22	25	27	30	33	35	38	41	44
75	15	18	20	23	26	29	32	35	38	41	44	47
80	16	19	22	25	28	31	34	37	40	44	47	50
90	18	21	25	28	32	35	39	42	46	49	53	56
100	19	23	27	31	35	39	43	47	51	54	58	62
110	21	26	30	34	39	43	47	51	56	60	64	68
120	23	28	33	37	42	47	51	56	61	65	70	75
125	24	29	34	39	44	49	53	58	63	68	73	78
130	25	30	35	40	46	51	56	61	66	71	76	81
140	27	33	38	44	49	54	60	65	71	76	82	87
150	29	35	41	47	53	58	64	70	76	82	88	93
160	31	37	44	50	56	62	68	75	81	87	93	100
170	33	40	46	53	60	66	73	79	86	93	99	106
175	34	41	48	54	61	68	75	82	88	95	102	109
180	35	42	49	56	63	70	77	84	91	98	105	112
190	37	44	52	59	67	74	81	89	96	103	111	118
200	39	47	54	62	70	78	86	93	101	109	117	124
210	41	49	57	65	74	82	90	98	106	114	123	131
220	43	51	60	68	77	86	94	103	111	120	128	137
225	44	53	61	70	79	88	96	105	114	123	131	140
230	45	54	63	72	81	89	98	107	116	125	134	143
240	47	56	65	75	84	93	103	112	121	131	140	149
250	49	58	68	78	88	97	107	117	126	136	146	156
260	51	61	71	81	91	101	111	121	131	142	152	162
270	53	63	74	84	95	105	116	126	137	147	158	168
275	53	64	75	86	96	107	118	128	139	150	160	171
280	54	65	76	87	98	109	120	131	142	152	163	174
290	56	68	79	90	102	113	124	135	147	158	169	180
300	58	70	82	93	105	117	128	140	152	163	175	187
310	60	72	84	96	109	121	133	145	157	169	181	193
320	62	75	87	100	112	124	137	149	162	174	187	199
325	63	76	88	101	114	126	139	152	164	177	190	202

PUMP SHAFT SPEED

Pressure: 400 PSI

Viscosity: 100 SSU

Model	Flow Rate (GPM)				
	90	100	110	120	130
PMPD55380LE	2628	2902	3177		
PMPD60500LE				2649	2856

Model	Flow Rate (GPM)						
	140	150	160	170	175	180	190
PMPD70600LE	2530	2699	2869	3038	3123	3208	
PMPD70660LE		2446	2598	2750	2826	2902	3055
PMPD70800LE					2446	2511	2641

Model	Flow Rate (GPM)										
	200	210	220	225	230	240	250	260	270	275	280
PMPD801000LE	2161	2261	2360	2410	2460	2560					
PMPD801200LE							2220	2302	2384	2425	2466

REPLACEMENT INFORMATION

ZZIPCO		IMO		Settima	
Model	GPM	Model	GPM	Model	GPM
PMPD55380LE	85.3	3D-218	81.0	GR55SMTU380L	85.3
PMPD60500LE	113.0	3D-250	124.9	GR60SMTU500L	113.0
PMPD70600LE	138.0			GR70SMTU600L	138.4
PMPD70660LE	154.0	3D-275	173.0	GR70SMTU660L	153.6
PMPD70800LE	179.0			GR70SMTU800L	179.1
PMPD801000LE	234.0	3D-312	261.0	GR80SMTU1000L	234.1
PMPD801200LE	274.0			GR80SMTU1200L	274.7

